

COME TO THE SOURCE

POLYCHEM[®]
CORPORATION

GP-44

Automatic Strapping Machine

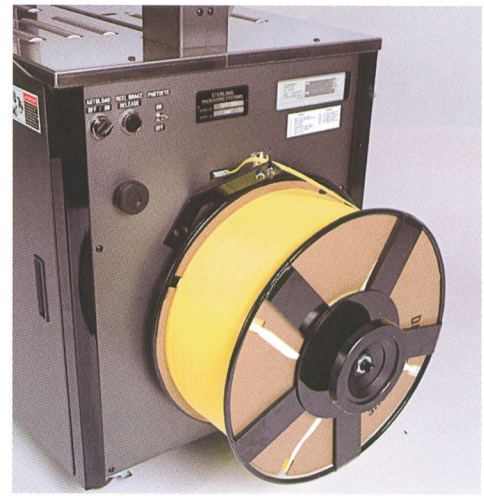


The GP-44 Automatic Strapping Machine. Designed and developed for most general purpose industrial strapping applications. Adaptable to all popular arch sizes and strap sizes by simple kits. The GP-44 offers the highest quality, reliability, simplicity and safety.

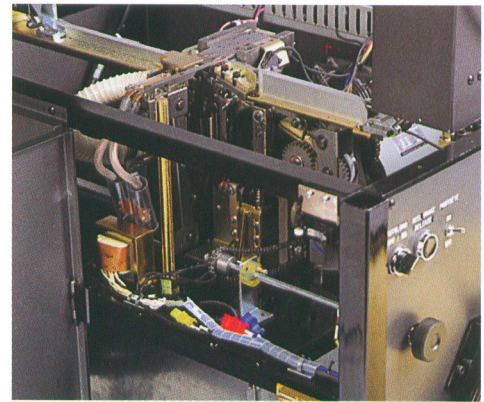
The Best Choice...The Only Choice

GP-44 Automatic Strapping Machine

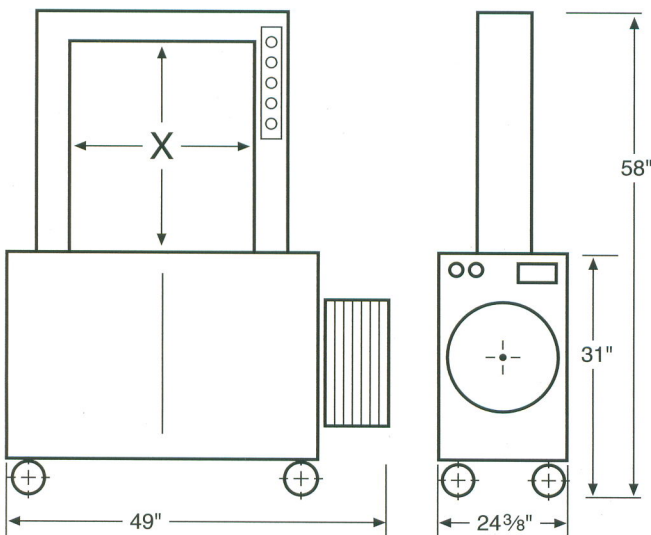
- Capable of up to 44 straps per minute
- Programmable controlled with limited diagnostics
- Outside reel with automatic, waist-high strap loading
- Electric, no-adjust reel brake
- Movable, magnetic control box to facilitate any operation position
- Safety switches on table tops and front door
- Loop ejector to eject accidentally actuated straps
- Long life heater blade with smoke exhaust system
- Power savings system. Motors run only during strap cycle
- Outside tension adjust knob
- Portable on casters
- Choice of all popular strap widths: 5mm, 6mm, 6.5mm, 7mm, 9mm and 12mm. Available with 8"x 8" or 9"x 8" core
- Easily changed arch assembly using the standard machine body. Simple kits allow width or height expansion of the arch to all popular sizes
- Seven digit, non-reset maintenance counter
- Stainless steel table top with rollers, standard
- Automatic refeed mechanism



Waist-high, Automatic Strap Loading. Simple Diagnostics.



Simple Seal Engine. Minimal Parts.



X=Std. arch 23" x 23", others available

SPECIFICATIONS

Model: GP-44
 Speed: Up to 44 straps per minute
 Power: 110 volt single phase, others available
 Tension: External, fully adjustable range
 Strap Sizes: 5mm to 12mm on 8"x 8" or 9"x 8" core
 Arch Sizes: Width 23" to 63"
 Height 16" to 47"
 Weight: 462 lbs.
 Table Top Height: 31", adjustable height available
 Min. Package Size: 4" wide x 2" high Compressible
 6" wide x 2" high Non-Compressible
 Options: • Adjustable Casters Adding 3" to starting Height

Other Variations Available:

- Side seal configuration
- Zinc Coating (for damp/corrosive environments)
- Powered conveyor top (for fully automatic application)
- Small package configuration (for packages down to 2" wide)



GP-44 5-00

MAILERS ENGINEERING, INC.

1647 Blake Avenue
 LOS ANGELES, CALIFORNIA 90031
 (323) 343-9750 FAX (323) 343-9753